

MB989 CF-L3 Multi-Bay Backplane Module



INSTALLATION GUIDE

• Content Description



- Removable Hard Drive Enclosure Rack Kit



- Accessory bag
M3 x 6 screw *8 pieces
6#-32 screw *12 pieces



- Installation Guide

1. Push the mark located at the right rim of front door to eject. (Fig.1)

2. Removing the cartridge away from the body. (Fig.2)

2.1 Slightly press down the upper clip of the handle.

2.2 Pull the handle out horizontally to be angled 90° from cartridge to release from body.

2.3 Pull to slide out the cartridge.

2.4 Fasten hard drive by placing hard drive onto the cartridge, then use the four screws provided to tightly secure the hard disk to holes "c" located at the two sides of cartridge.

(Fig.3)

3. Inserting the cartridge along with drive into the body.

3.1 Match the two sides of the cartridge to the rails located at the two sides inside the body. (Fig.4)

3.2 Keep the handle angled at 90 degrees from the cartridge, then slide the cartridge along the rails and into the body until fully insert. (Fig.4)

3.3 Push in the handle a "click" sound is made to completely secure the position of cartridge. (Fig.5)

4 Close the front door to complete the hard drive installation.

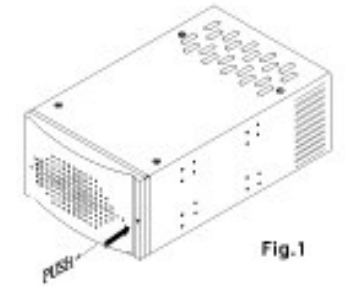


Fig.1

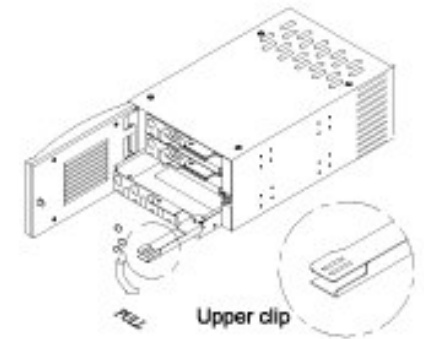


Fig.2

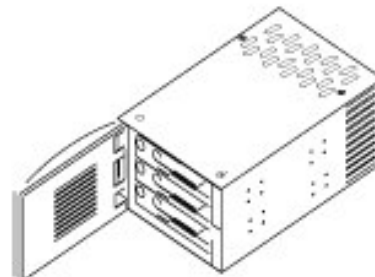


Fig.5

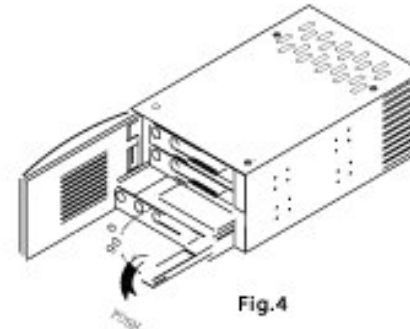


Fig.4

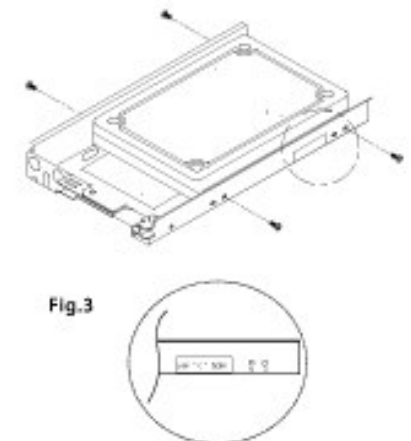


Fig.3

Once any further requirement about product application or more related product information, please access to: www.icydock.com