

5. Replacing or uninstalling a failed fan.

- 5.1 Position the front door to the opening position. (Fig. 1)
- 5.2 Separate the front panel from the inner metal cover by removing the four screws on the inner metal cover. (Fig. 6)
- 5.3 Remove the two screws securing the small PCBA and take out fan module. (Fig. 7)
- 5.4 Draw the fan connector out of the wafer located on the small PCBA. (Fig. 8)
- 5.5 To replace or install a new fan, reverse the process of uninstalling the failure fan.

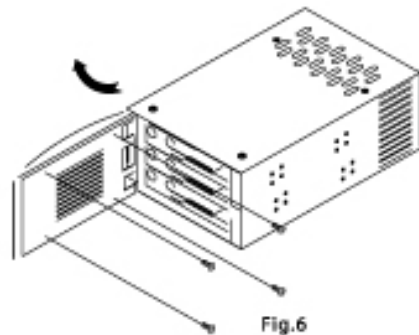


Fig.6

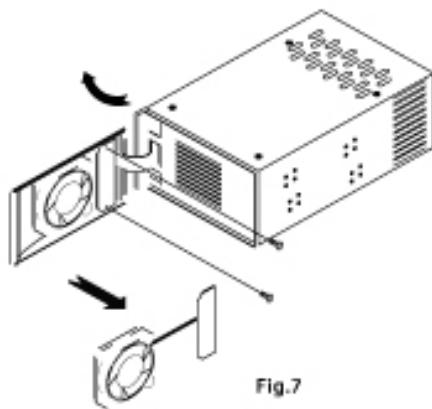


Fig.7

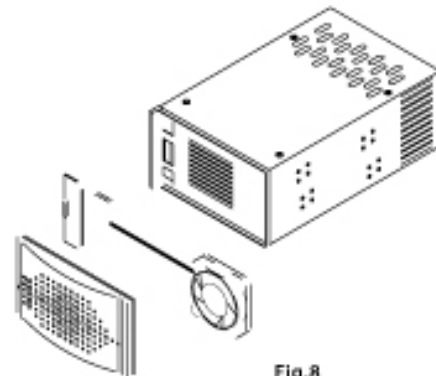


Fig.8

6. Securing your hard drive with Fan Failure & Overheat Alarm Control Board. This will alarm you if the housing temperature has exceeded your original temperature setting.

- 6.1 When housing overheats, the alarm buzzer sounds. You may deactivate the alarm buzzer by pressing the Reset button. (Fig. 9)

- 6.2 The green power LED will change to amber and will not revert until the failure is properly repaired. (Fig. 9)

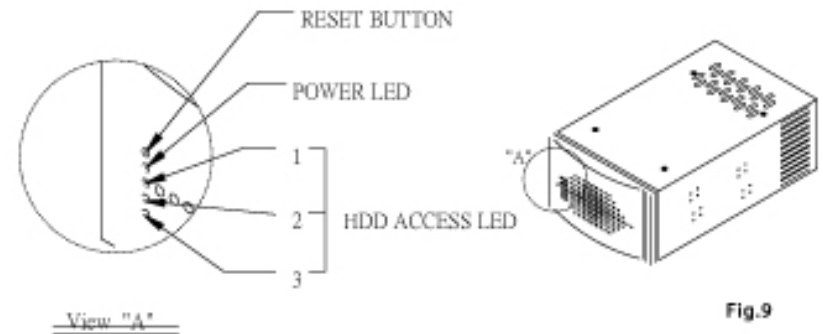


Fig.9

7. Back-plane view. (Fig. 10)

8. Please terminate the last connector using a terminator.

ID Setting Switch representation table

SW. NO.	1	2	3	4
Digital Signal	1	2	4	8

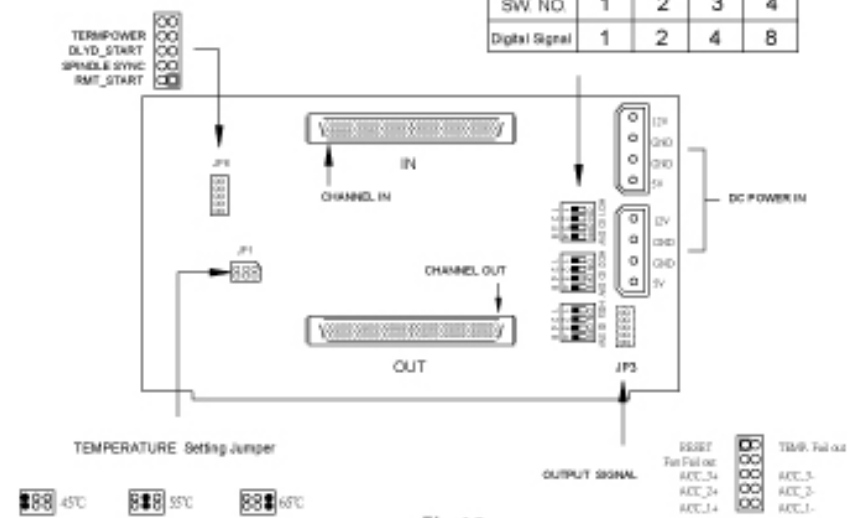


Fig.10

Note : The above testing results were obtained under the surrounding temp at 25°C.