

User Manual
使用說明書

MB876SK **SATA** MB876IK **SAS**
Internal Removable Hard Drive Enclosure

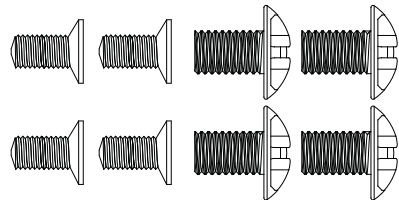
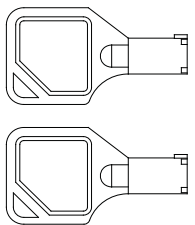
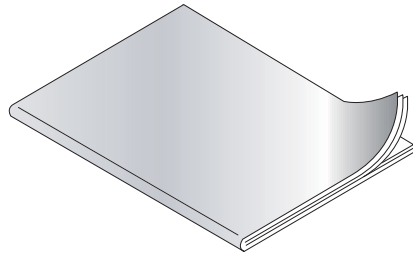
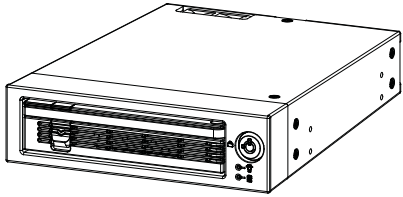


2. Installation Guide

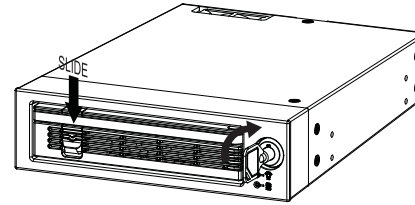
硬碟安裝

1. Package Content

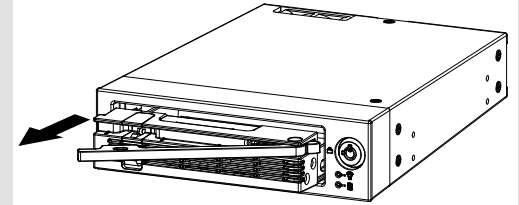
包裝說明



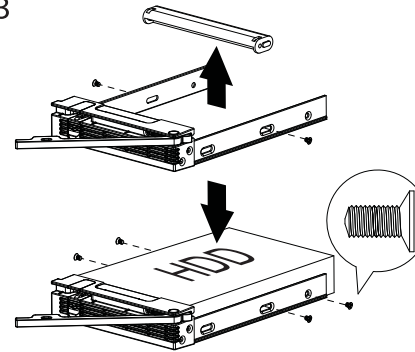
2-1



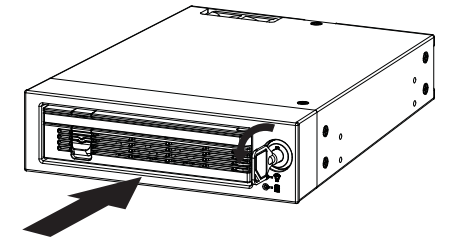
2-2



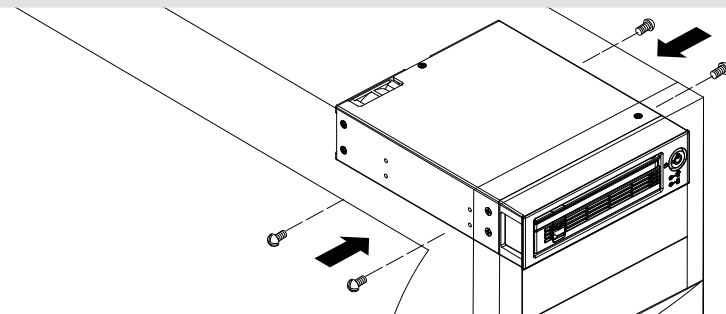
2-3



2-4



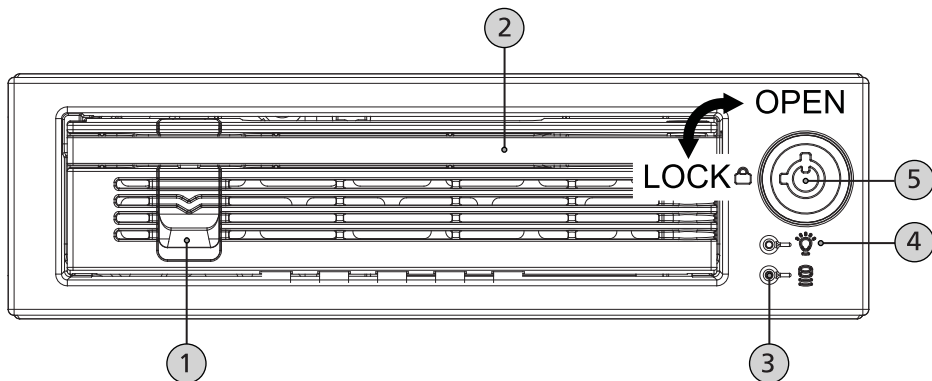
2-5



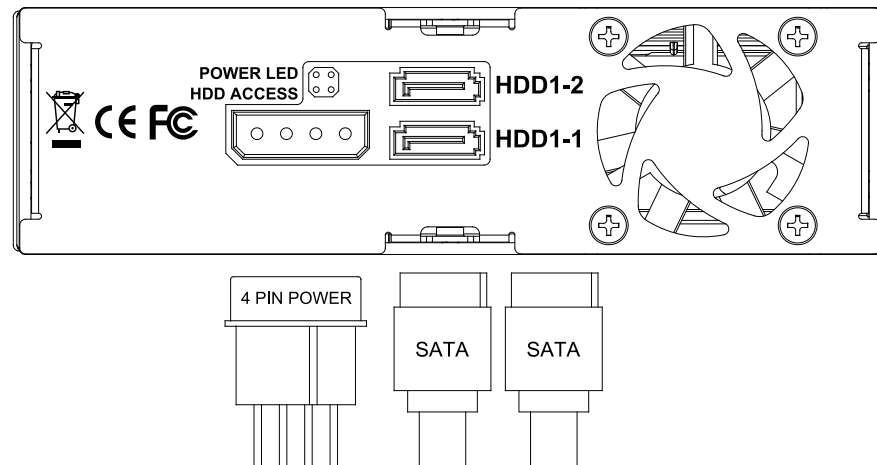
3. Appearance 產品外觀

3-1. Front Panel Description 面板說明

1. Drive Tray Ejection Button 抽取盤把手開啟鍵
2. Drive Tray Extraction Lever 抽取盤把手拉桿
3. HDD Access Indicator 硬碟讀寫指示燈
4. Power Indicator 電源指示燈
5. 2 Segment Key Lock 二段式鎖頭



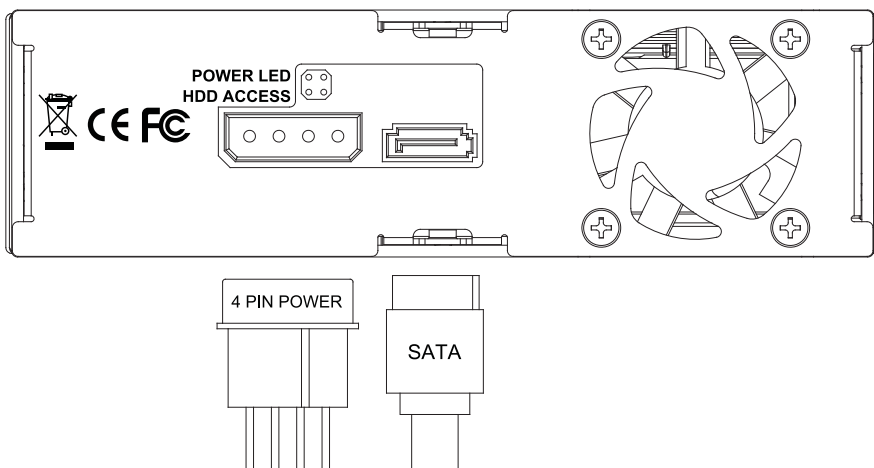
MB8761K SAS Series



Connected to HDD1-1 connector when SATA hard drive is used.
MB8761K機種，若安裝使用SATA 硬碟時，需使用HDD1-1通道。

3-2. Back Panel Description 背板說明

MB8765K SATA Series



NOTE 註釋：

1. ICY DOCK reserves the right to change unrelated technical specification and is subject to change without prior notice.
1. 本公司保留產品升級與變更之權利，如改版，恕不另行通知。
2. ICY DOCK will not be liable for any software, hardware and any data stored within or interfacing with our product which results in damages or dysfunctions. ICY DOCK will only be responsible for repairs and services of its own product.
2. 如因不當使用本產品進而造成其它相關設備之故障，本公司僅負擔自屬產品之修繕責任，造成其它設備毀損概不負責。
3. Due to specification differences between SATA I and SATA II hard drives, the LED will only work with SATA II hard drives. To enable the enclosure's LED with SATA I hard drives, please refer to Note 4.
3. SATA II HDD 規格有規範HDD ACCESS 訊號，而SATA I HDD 無此規範。
4. To determine if SATA II hard drives have built-in HDD Access signal, please refer to your hard drive specifications.
4. SATA II HDD 是否有內建HDD ACCESS 訊號功能，需參照各家硬碟製造廠設計規範。
5. To perform hot-swap function, the host must also support hot-swap.
5. 若欲完全使用Hot-swap的功能，則Host端也需要支援Hot-swap功能。
6. For any further inquiries related to ICY DOCK products, please visit <http://www.icydock.com>.
6. 如欲知更多產品資訊，歡迎上網瀏覽本公司網站：www.icydock.com