

3-3 Connect both the power & IDE cable connectors to the corresponding connectors at the rear of the hard drive. Then, secure the hard drive onto the cartridge by using 4pcs of the #6-32 screws included in the accessory bag (figure 3).

3-4 Insert each cartridge into the housing by aligning the cartridge to the rail inside the housing and push inwards until connected to the back plane connector. Then, raise the clip handle upwards 90 degrees to complete the process (figure 4).

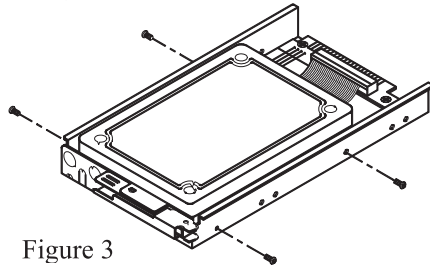


Figure 3

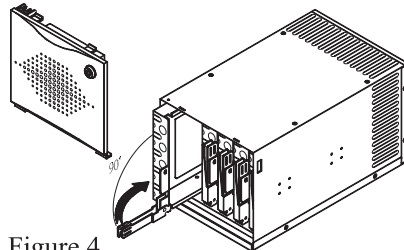


Figure 4

3-5 Align the clips at the bottom of panel into the housing first and close the front panel. Lock the front panel by turning the key clockwise (Figure 5).

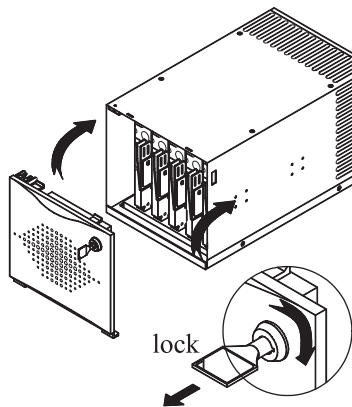


Figure 5

4. Fan Replacement Installation

4-1 Remove the front panel according to process 3-1.

4-2 Unscrew the (a)screw hut, (b)screws 2pcs, then, (c)screws 3pcs according to figure 6. Rest the unscrewed screws aside by different types to avoid mix ups later when screwing on. Separate the fan cover from panel and detach the fan connector wires to completely remove the fan.

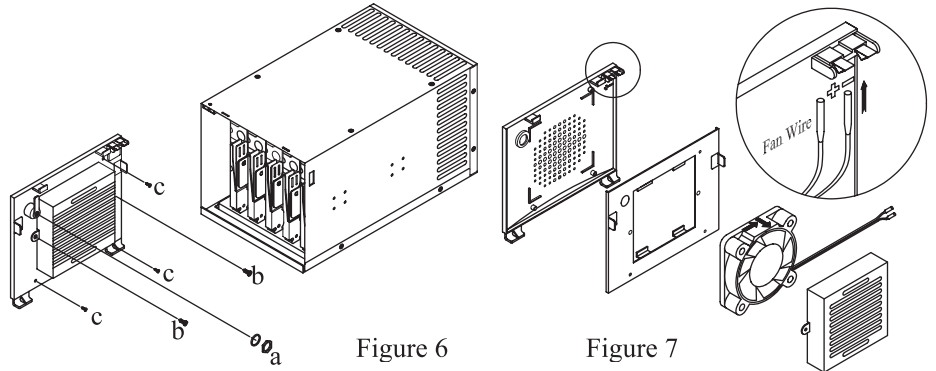


Figure 6

Figure 7

4-3 Replace the new fan by connecting the red wire of the fan to the positive (+) connection of the front panel, then, the black wire to the negative (-) of the front panel. Afterwards, place the fan to the corresponding slot making sure that the fan is positioned correctly (the direction of the wind should blow inward into housing). Reunite the fan cover to the front panel by screwing on the corresponding screws to the correct positions.

4-4 Follow process 3-5 to close the front panel.

5. Audio alarm warning shut off

5-1 If a malfunction such as fan failure or overheat occurs, you may shut off the audio alarm warning by pressing the audio alarm warning reset button located at the front of housing. Whenever any of the malfunction below occurs, the power indicator (green) will change to amber indicating malfunction has taken place.

5-2 Fan failure

If a malfunction has taken place, first check to see if fan has stopped blowing during operation. If yes, a replacement is required (see 4.Fan Replacement Installation).

5-3 Temperature overheat

If the fan has not stopped and is functioning normally, check the rear of housing preset temperature warning jumper setting to see whether the jumper clip has been completely inserted to the chosen jumper pins. If the jumper clip has checked ok, the preset temperature warning jumper might need to be set at a higher temperature. If the overheat malfunction still can not be resolved, check the overall computer system environment for the possible causes of hard drive overheating.

For customer service and information, please log on to www.icydock.com